
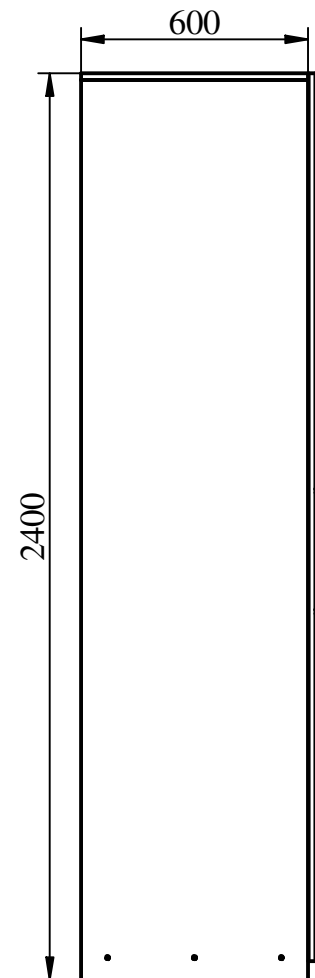
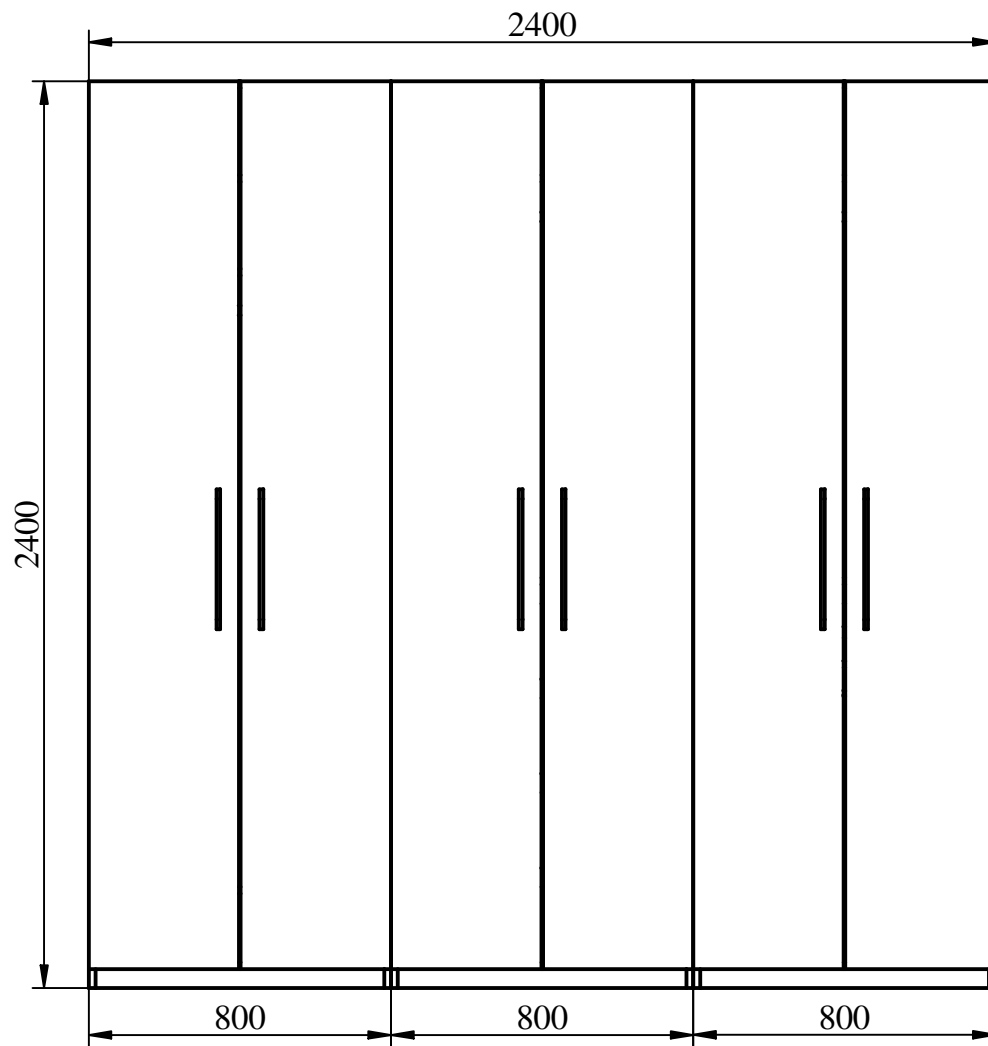


<p>MOBITEX Educational Product Company</p> 	Beneficiar:	Proiect nr.: 01
	Proiect: DULAP 240x60x240	Scara : 1/20
	Plansa: Axonometrie	Plansa nr.: 1



MOBITEX
Educational Product
Company



Beneficiar:

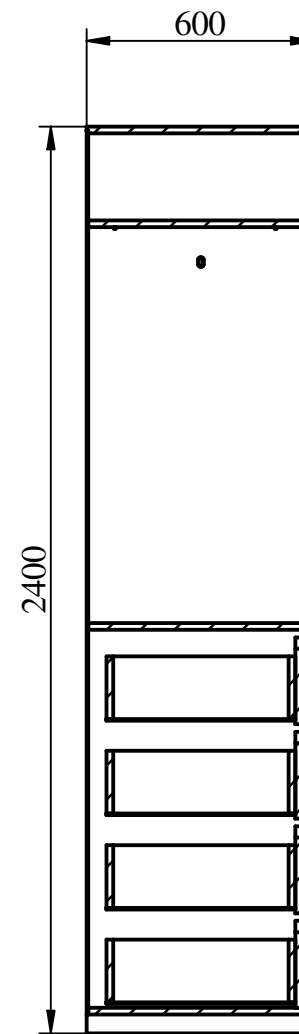
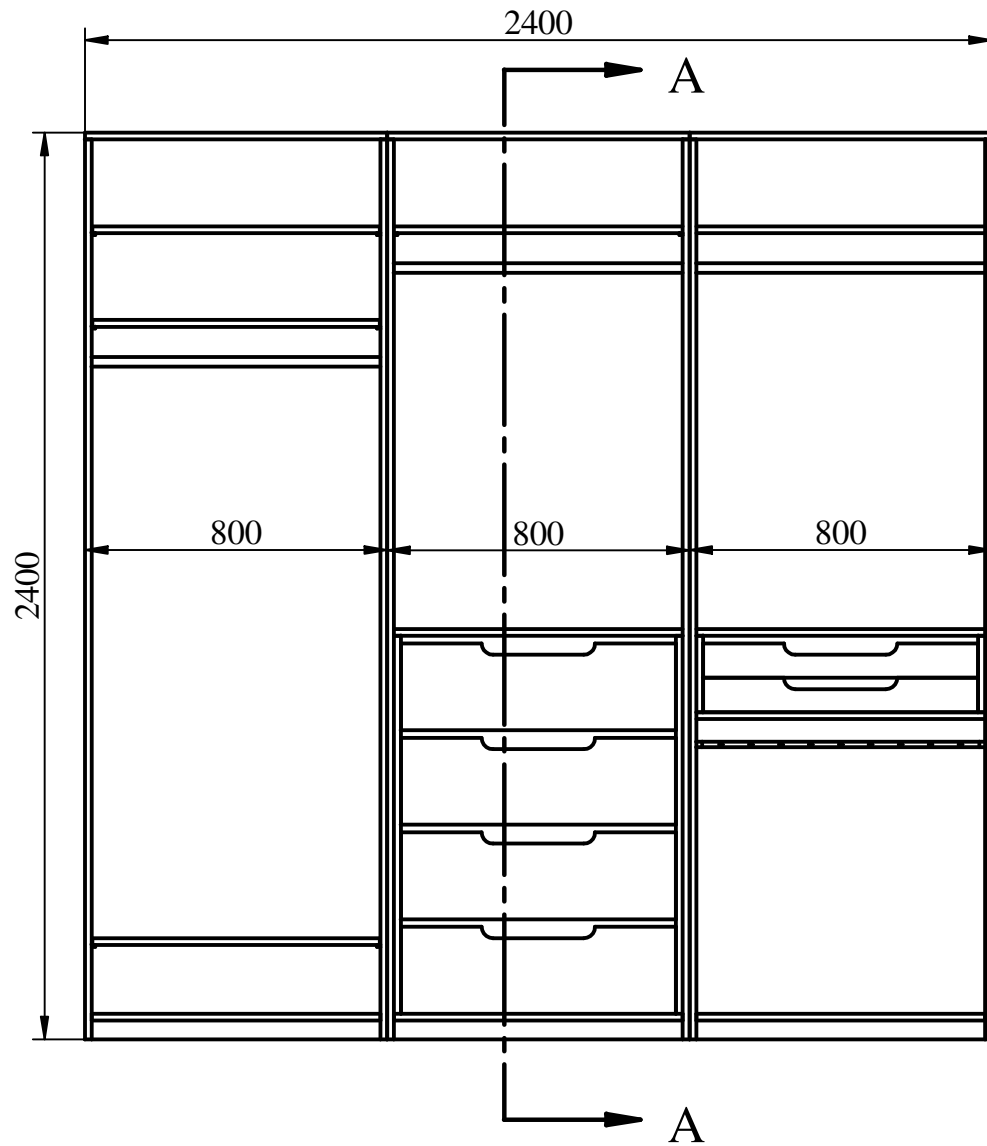
Proiect nr.: 01

Proiect: DULAP 240x60x240

Scara : 1/20

Plansa: Vederi

Plansa nr.: 2



Sectiune A-A

MOBITEX
Educational Product
Company



Beneficiar:

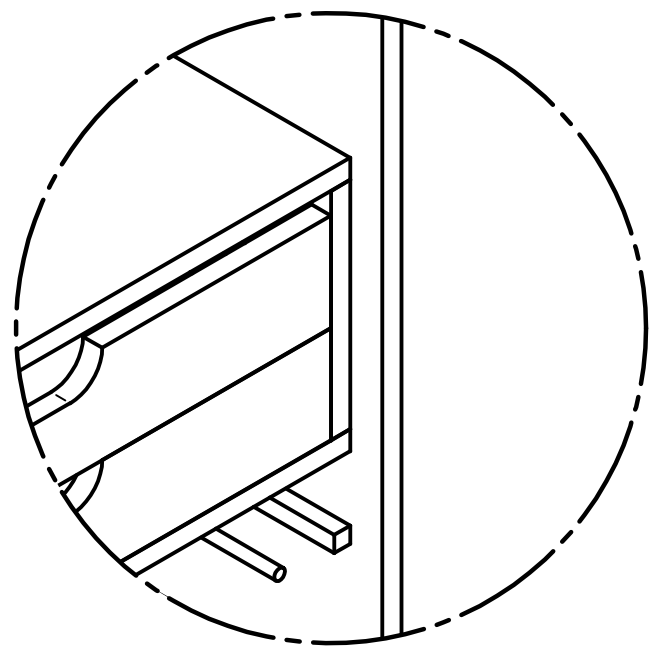
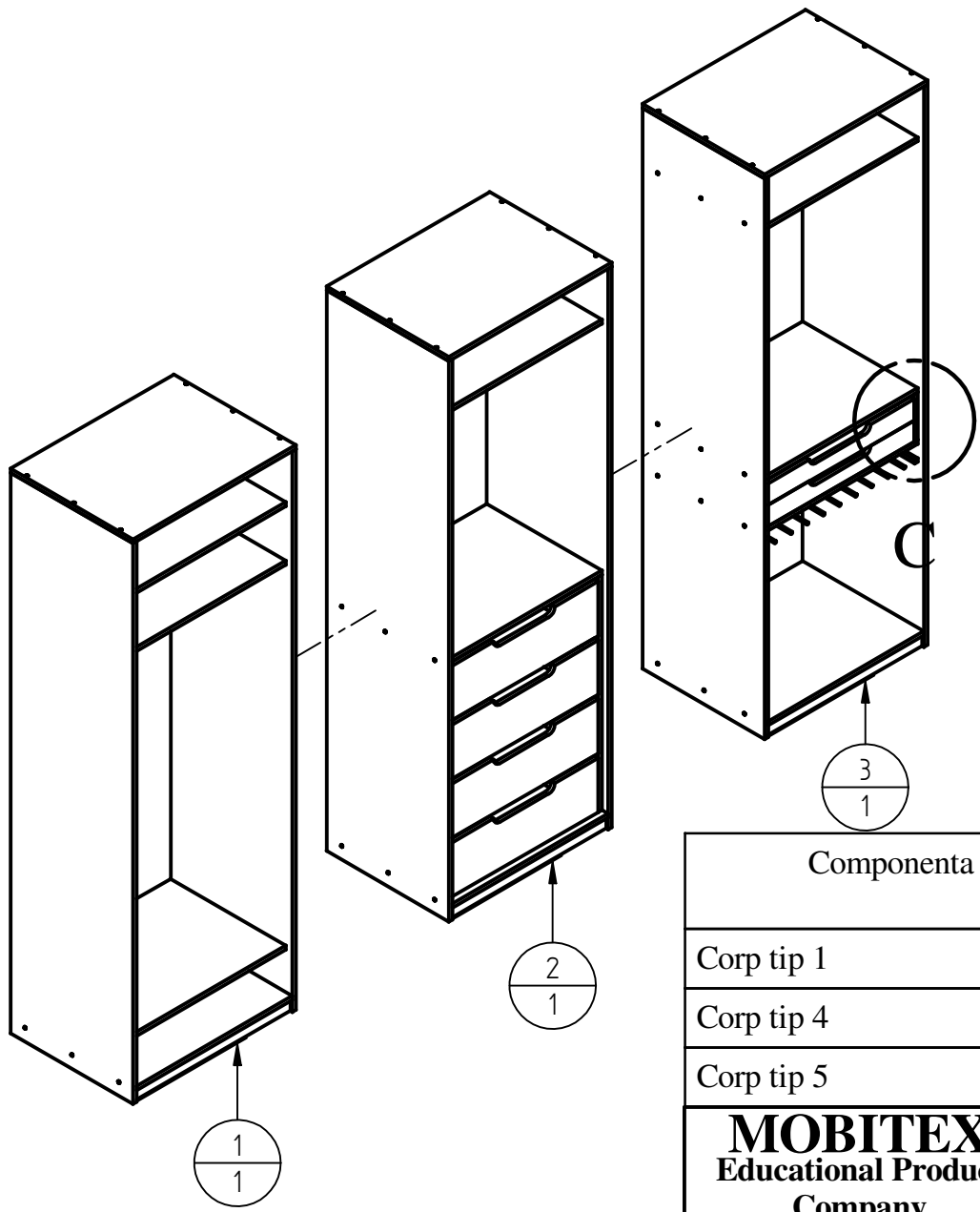
Proiect nr.: 01

Proiect: DULAP 240x60x240

Scara : 1/20


Plansa: Compartimentare interioara

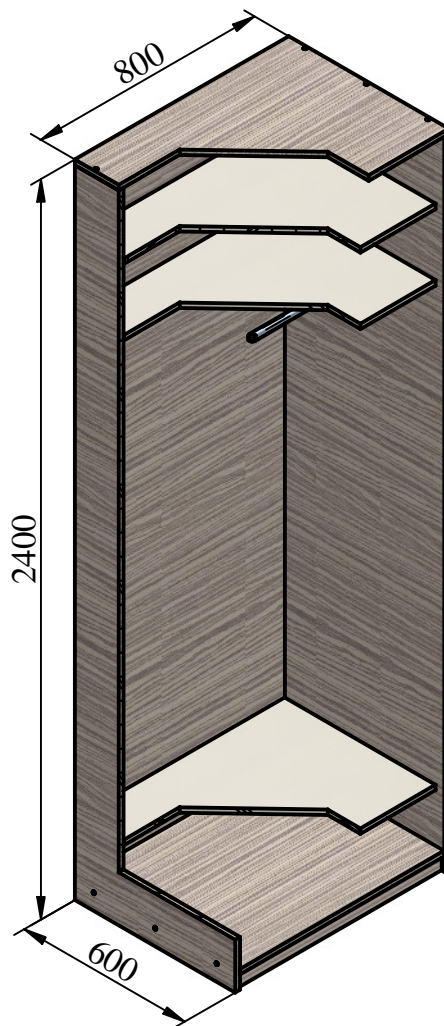
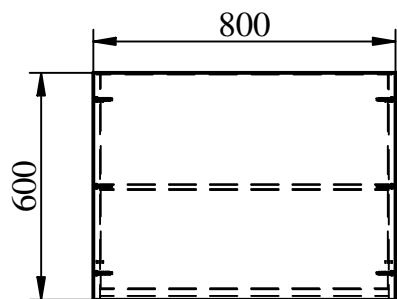
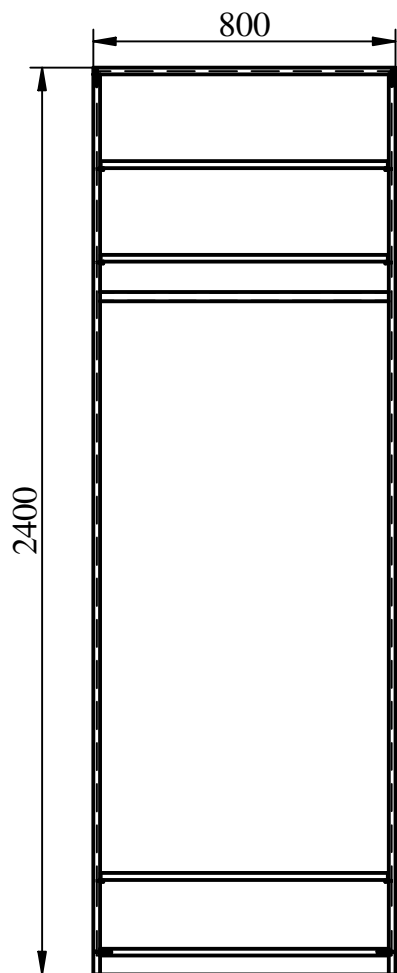
Plansa nr.: 3



Detaliu C

Componenta	Cantitate (buc.)	Inaltime corp	Latime corp	Adancime corp
Corp tip 1	1	2400,00 mm	800,00 mm	600,00 mm
Corp tip 4	1	2400,00 mm	800,00 mm	600,00 mm
Corp tip 5	1	2400,00 mm	800,00 mm	600,00 mm

MOBITEX Educational Product Company 	Beneficiar:	Proiect nr.: 01
	Proiect: DULAP 240x60x240	Scara : 1/20
	Plansa: Componente dulap	Plansa nr.: 4



MOBITEX
Educational Product
Company



Beneficiar:

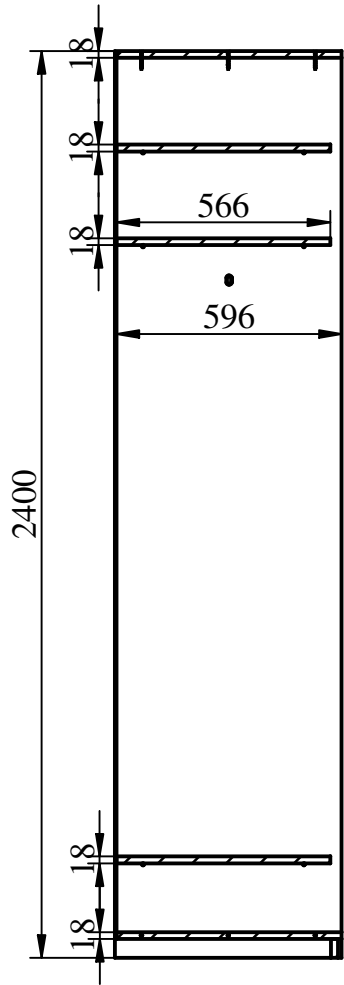
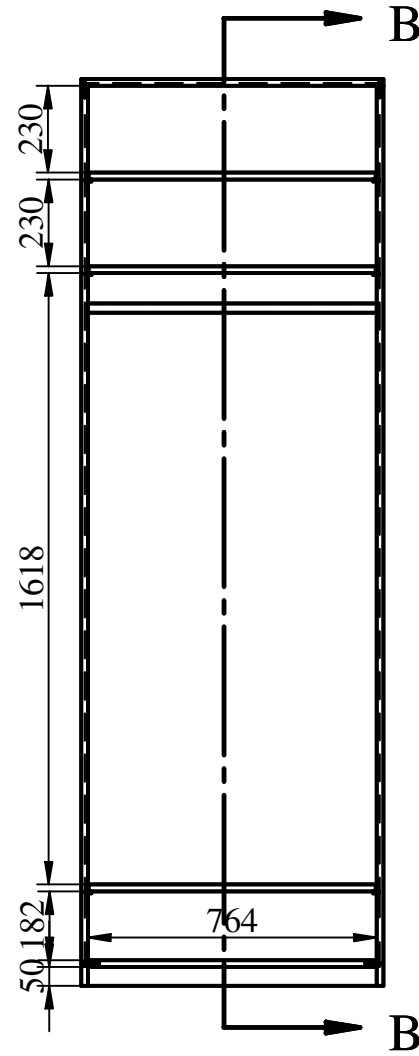
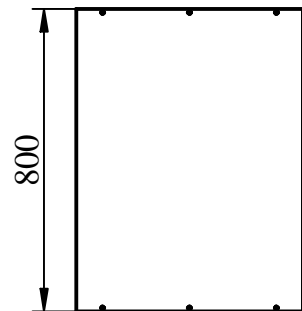
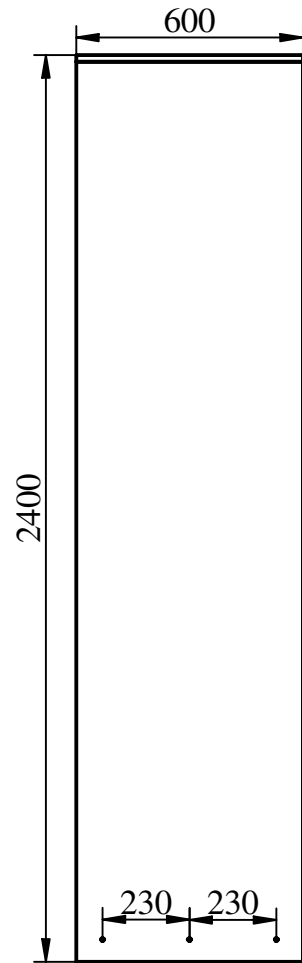
Proiect nr.: 01

Proiect: DULAP 240x60x240

Scara : 1/20

Plansa: Corp tip 1-axonometrie

Plansa nr.: 5



Sectione B-B

MOBITEX
Educational Product
Company



Beneficiar:

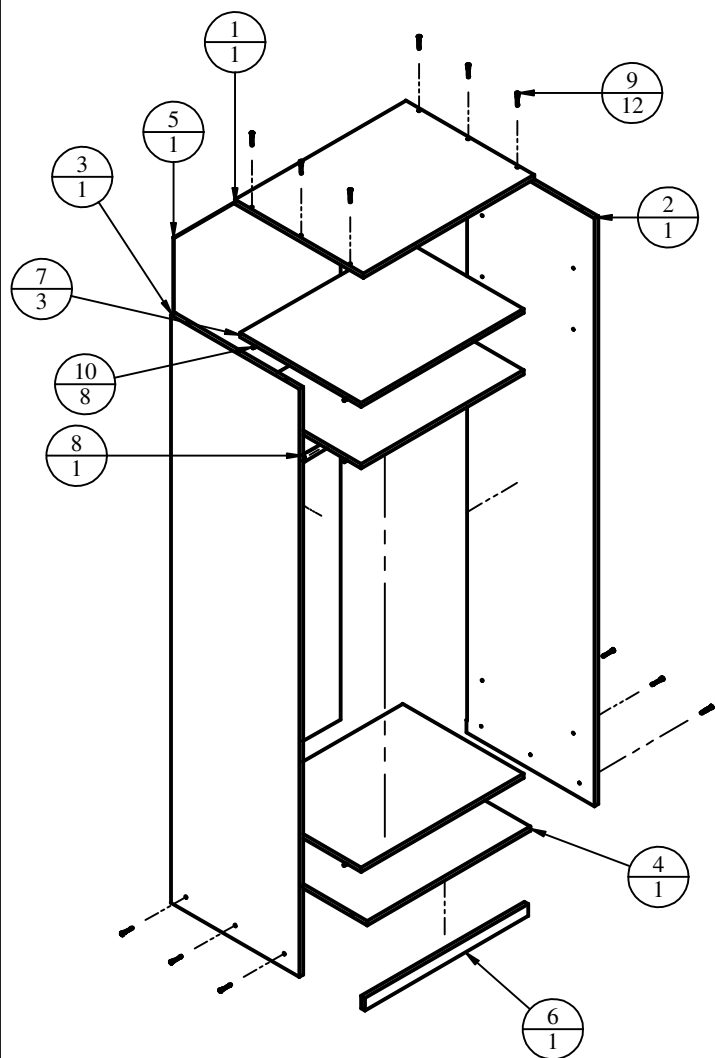
Proiect nr.: 01

Proiect: DULAP 240x60x240

Scara : 1/20

Plansa: Corp tip 1

Plansa nr.: 6



Indice	Componenta	Cantitate (buc.)	Lungime	Latime	Grosime
1	Placa superioara	1	800,00 mm	600,00 mm	18,00 mm
2	Placa laterala dreapta	1	2382,00 mm	600,00 mm	18,00 mm
3	Placa laterala stanga	1	2382,00 mm	600,00 mm	18,00 mm
4	Placa baza	1	764,00 mm	596,00 mm	18,00 mm
5	Placaj spate	1	2340,00 mm	780,00 mm	4,00 mm
6	Plinta	1	764,00 mm	50,00 mm	18,00 mm
7	Polita	3	760,00 mm	566,00 mm	18,00 mm
8	Bara haine	1	764,00 mm		
9	Eurosurub	12			
10	Suport polita	8			

MOBITEX
Educational Product
Company



Beneficiar:

Proiect: DULAP 240x60x240

Plansa: Componente corp tip 1

Proiect nr.: 01

Scara : 1/20

Plansa nr.: 7